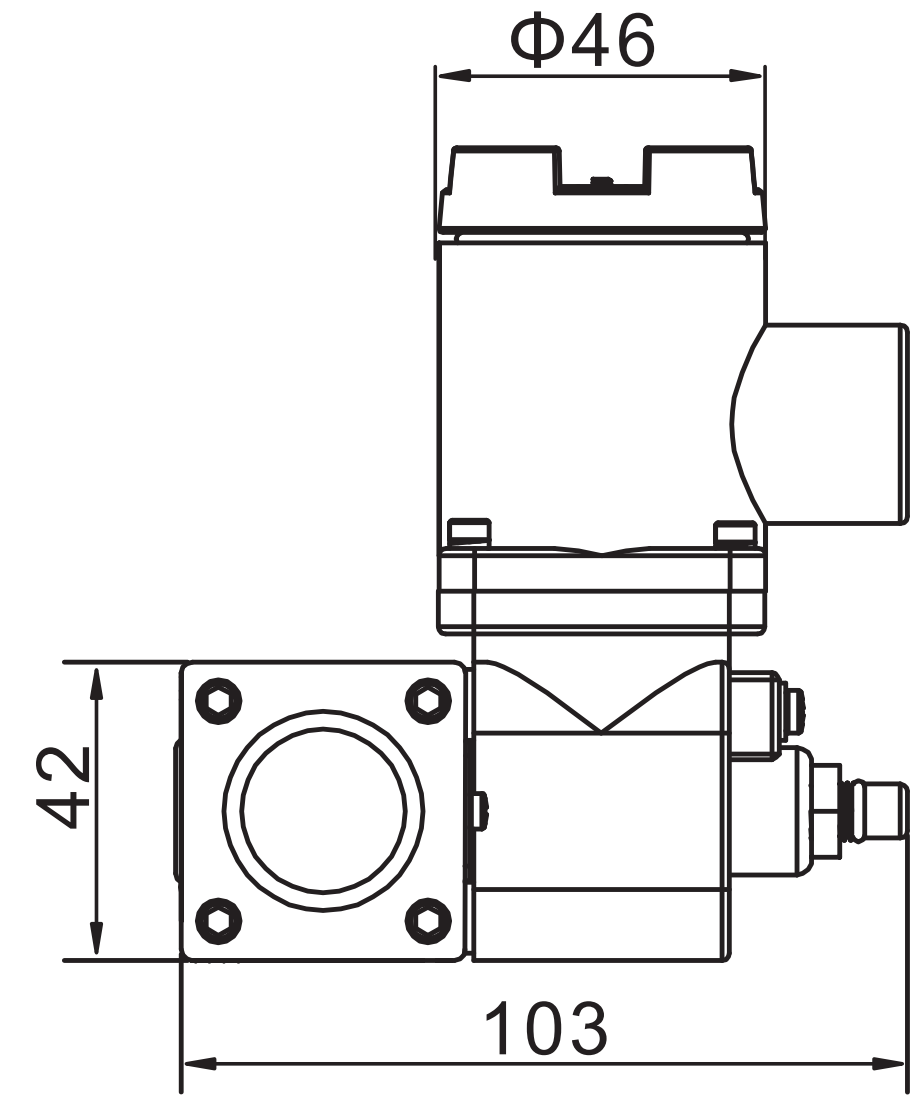
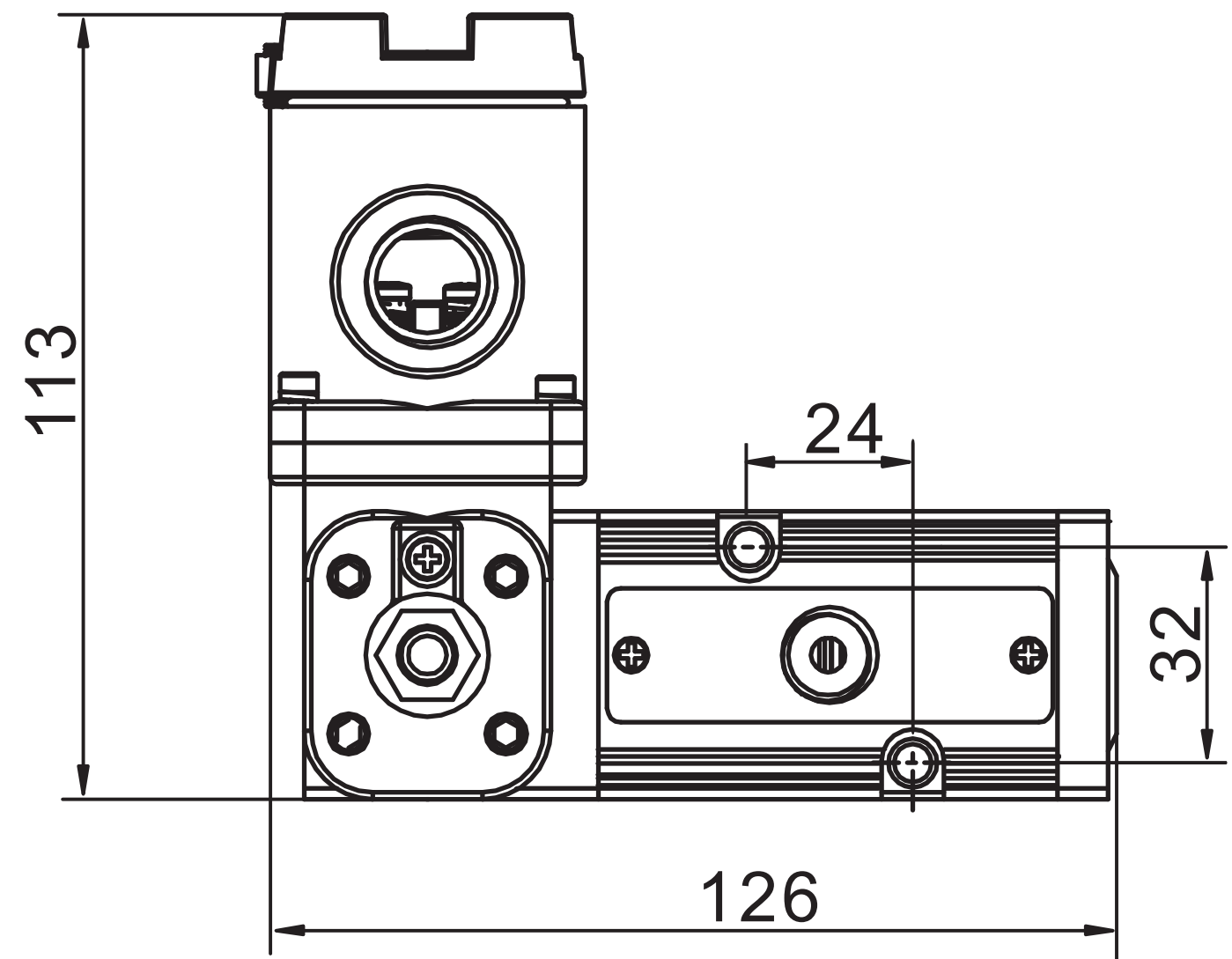


REV. NO.	REVISION DESCRIPTION	DRAWN / DATE	REVIEWED / DATE	APPROVED / DATE
△	ISSUE FOR APPROVAL	HSS/071218	JCS/071218	LYH/071218
△				



SURFACE TEXTURE	PRODUCT NAME	MORC CONTROLS LTD.	
FINISH TREATMENT	MODEL	MC50-D	
MATERIAL	PROJECTION	SCALE	TITLE
OTHERWISE NOTE	GENERAL TOLERANCE	3rd	1 / 1
	QUANTITY	SHEET No.	DRAWING NO.
	1	1 / 1	MC50-D
			REV.
			0