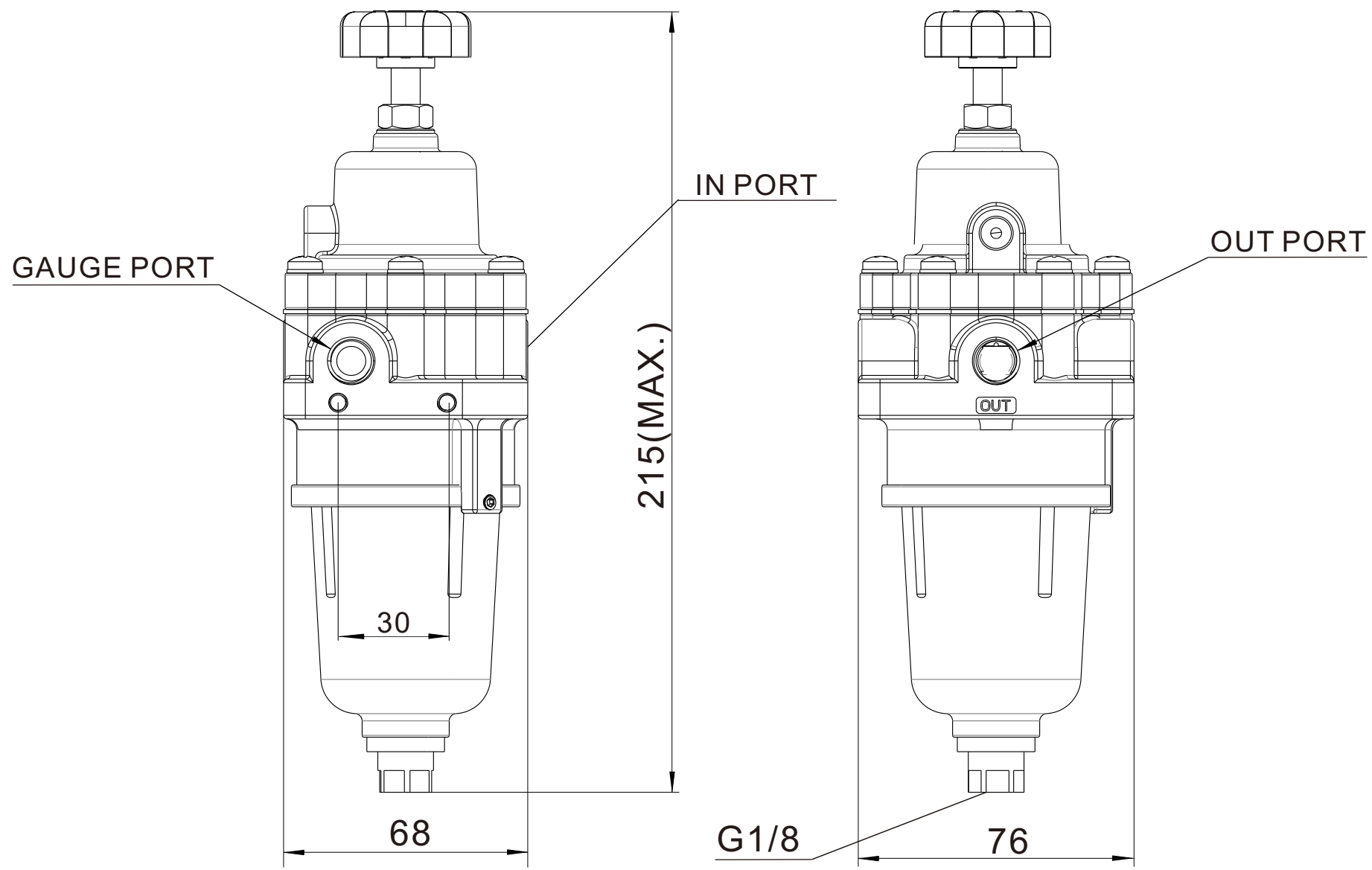


REV.NO.	REVISION DESCRIPTION	DRAWN / DATE	REVIEWED / DATE	APPROVED / DATE
△	ISSUE FOR APPROVAL	HSS/071218	JCS/071218	LYH/071218
△				



SURFACE TEXTURE	PRODUCT NAME	<b>VOLUME BOOSTER</b>		<b>MORC CONTROLS LTD.</b>	
FINISH TREATMENT	MODEL	<b>MC-22</b>		TITLE	
MATERIAL	PROJECTION	SCALE	VOLUME BOOSTER ASS'Y DWG		
OTHERWISE NOTE	GENERAL TOLERANCE	QUANTITY	SHEET No.	DRAWING NO.	
		1	1 / 1	MC-22(Auto Drain)	REV. 0